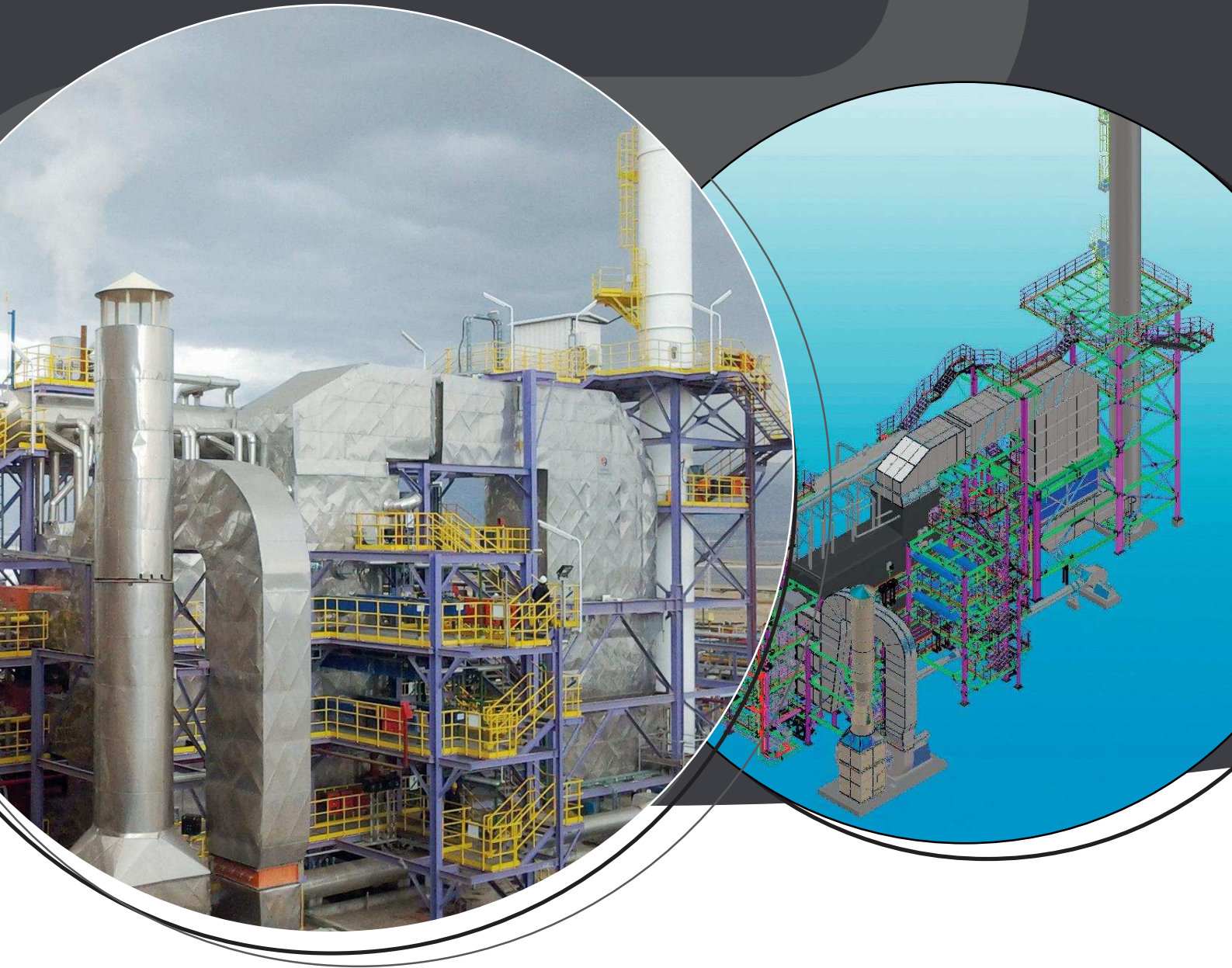


SteamGen™ 4

Dead Sea Works, Israel



In June 2011 Aalborg Engineering received a new order for delivery of auxiliary package boiler for Dead Sea Works company, which is a business unit of ICL Fertilizers, one of world largest producer of potash products, as well as a broad range of chemicals products. Plant is situated at the lowest point of the planet's surface. The elevation level of DSW is -404,05 m.

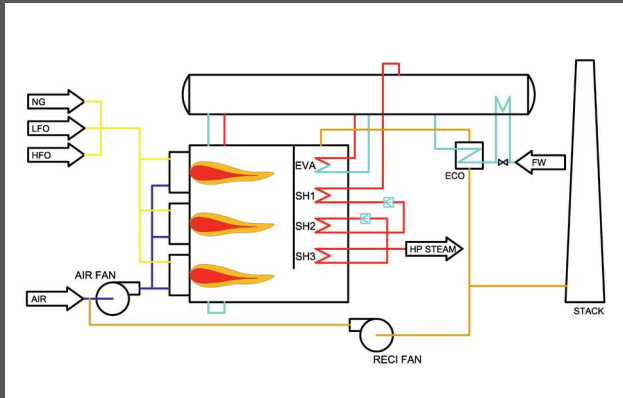


Aalborg Engineering
understanding energy

SteamGen™ 4 • Dead Sea Works, Israel

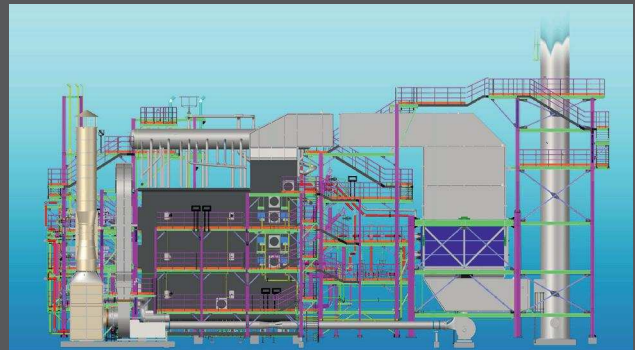
The contract covers design, procurement, production and delivery of one auxiliary package boiler plant. Boiler is designed to operate on natural gas, light fuel oil and heavy fuel oil. To keep heating surfaces clean, boiler is equipped with sootblowers.

Feedwater preheater in steam drum is used to prevent condensate corrosion.



Project Data

Client:	Dead Sea Works
Location:	Dead Sea, Israel
Year of commissioning:	2012
Boiler:	SteamGen™ 4
Steam capacity:	130 t/h (Peak load: 143 t/h)
Steam pressure:	67 bar
Steam temperature:	510°C
Fuel:	Natural gas, light fuel oil and heavy fuel oil



Scope of Supply

Civil design and all civil work in relation to our scope

- Economiser, evaporator, superheaters and single steam drum
- Spray type desuperheaters
- Burner system with BMS
- Drain and vent system including piping valves, headers
- Flue gas recirculation system
- Force draft fan
- Control system
- Piping and valves
- Air and flue gas ducts and expansion joints
- Outlet duct and stack (outlet 60 m above ground)
- Steel structures and access ways
- Field instruments
- Signal cables from field instruments to junction boxes
- Lagging and cladding
- Delivery to site, Incoterms 2000 DAP
- Mechanical and electrical installation
- Commissioning



Aalborg Engineering
understanding energy