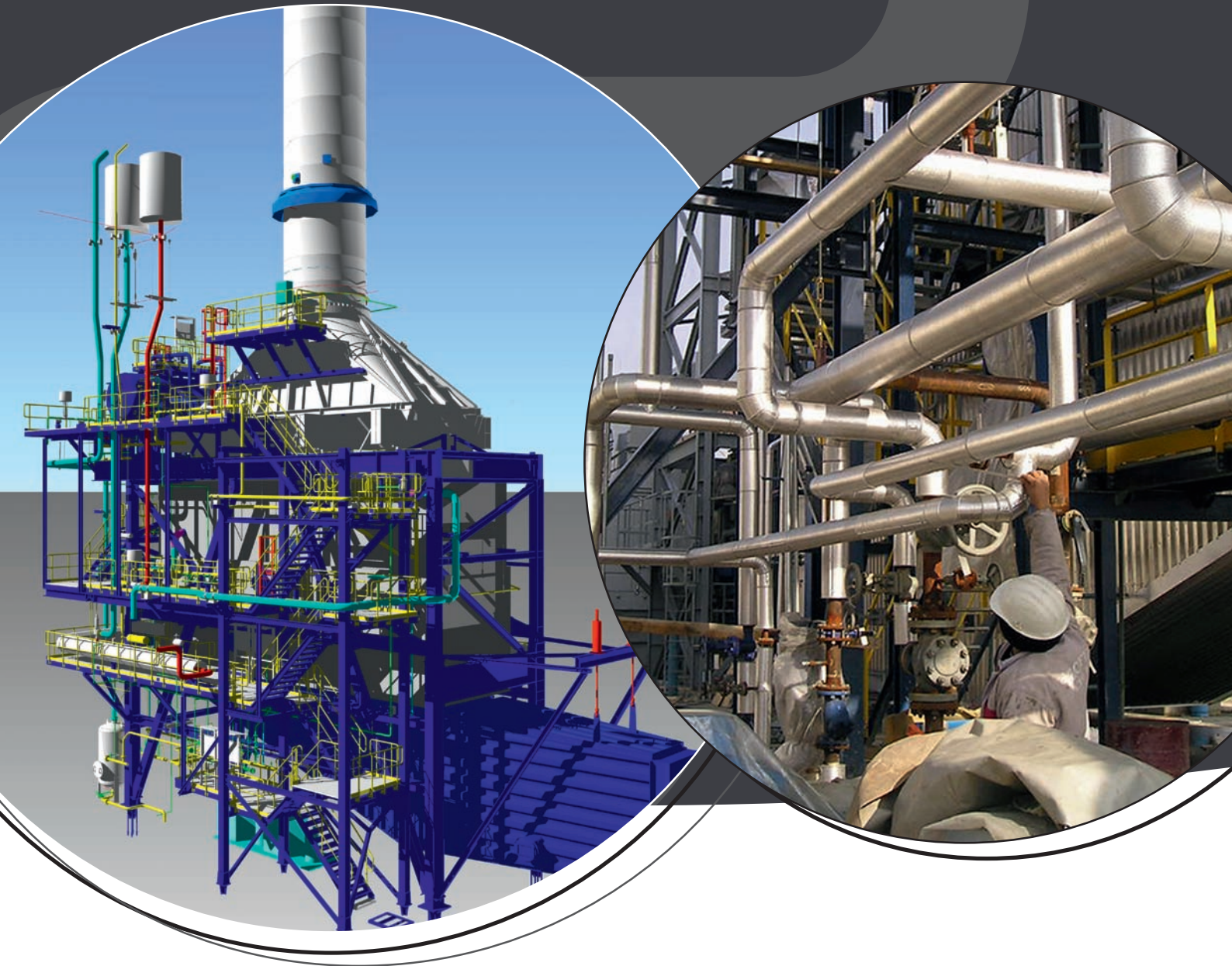


SteamGen™ 8

KAM • Erfurt, Germany



In September 2012 Aalborg Engineering was awarded a contract by Kraftanlagen München GmbH to supply the HRSG for a combined cycle power plant at Erfurt in Germany. The SteamGen™ 8 solution was again chosen by Kraftanlagen München due to minimum down time and low O&M costs.

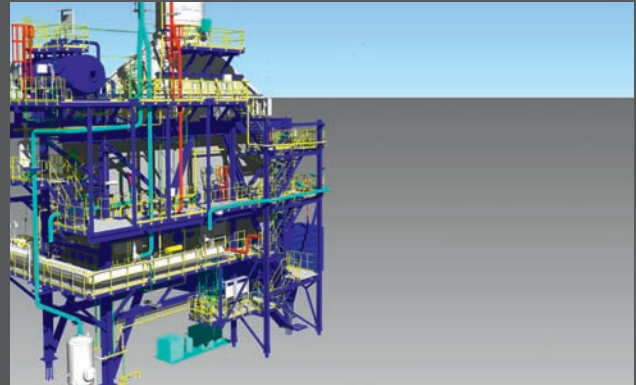
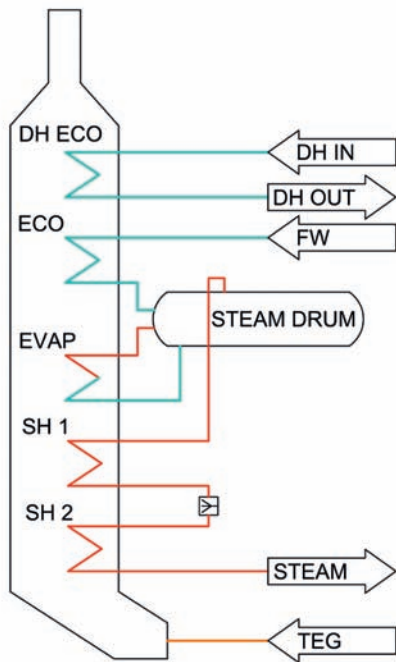


Aalborg Engineering

understanding energy

SteamGen™ 8 • KAM • Erfurt, Germany

The contract by Kraftanlagen München GmbH covers design, procurement, production, erection and commissioning of a Single-pressure HRSG. All equipment is purchased by Aalborg Engineering including the erection work. Kraftanlagen München knew the SteamGen™ 8 solution after several years of stable and efficient operation on the Thermatel Plant. In order to achieve the highest possible availability Aalborg Engineering was again the choice due to high quality European manufacturing and the maintenance free external insulation solution.



Scope of Supply

- Natural circulation, single pressure HRSG
- Spray type desuperheaters
- Steel structure and access ways
- Drain, vent and blowdown system
- Internal piping and valves
- Outlet duct and stack
- Exhaust gas system
- Natural circulation, single pressure HRSG
- Steel structure, platforms and stairways
- Flue gas ducts
- Drain, vent and blowdown system
- Chemical dosing system
- Water and steam sampling system
- Valves and instrumentation
- Mechanical installation
- Cold and Hot Commissioning
- District heating

Project Data

Client:	KAM
Location:	Erfurt, Germany
Year of commissioning:	2013
Boiler:	SteamGen™ 8
Gasturbine:	Siemens SGT 700
HP Steam capacity:	42 t/h
HP Steam capacity:	14 t/h
LP operating pressure:	81 bar
HP Steam temperature:	495°C
District heating:	12,5 MWt



Aalborg Engineering
understanding energy